

DRG No. 375244

IF IN DOUBT ASK

DO NOT SCALE

ALL DIMENSIONS IN mm

This drawing is the property of EJA Ltd. and may not be used for any other purpose other than that for which it was supplied without the express written authority of EJA Ltd.

SECTION A-A
SCALE 1 : 2

4 HOLES (2 ON OTHER SIDE)
TAP M6 - 6H x 9.7 DEEP
MINIMUM FULL THREAD

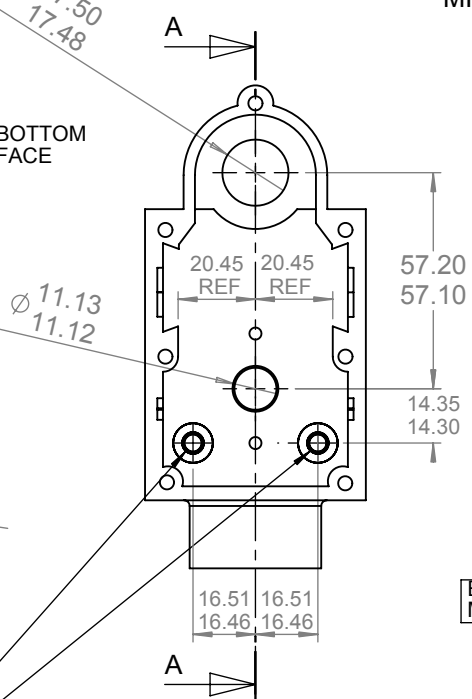
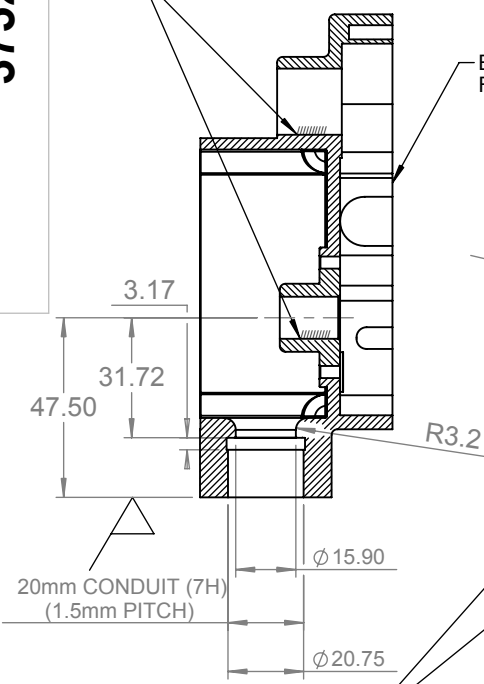
DO NOT PAINT BORES

BOTTOM FACE

TOLERANCE

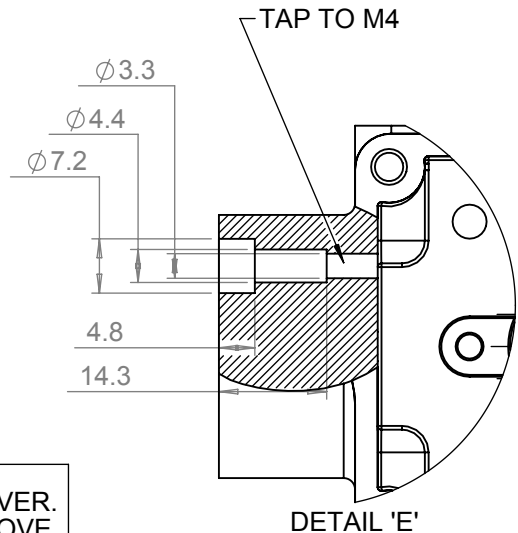
ANGULAR	LINEAR
0° ± 2°	0 ± 0.50
0.0° ± 1°	0.0 ± 0.20
0.00° ± 0.5°	0.00 ± 0.10
0.000° ± 0.25°	0.000 ± 0.05

◇ INDICATES CRITICAL DIMENSIONS

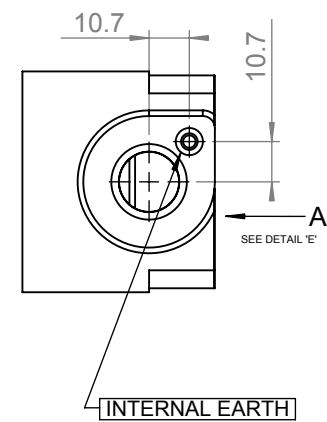


EXTERNAL EARTH
M3.75 Ø x 6mm DEEP

2 HOLES Ø 4.79/4.76
C'SINK THIS SIDE Ø 5.5 x 90° INC
CHAMFER REVERSE SIDE 0.75 x 45°



BROKEN-OUT DETAILED SECTION
OF INTERNAL EARTH DIMENSIONS
IN DIRECTION OF ARROW 'A'



FINISH
ZINC CHROMATE SELF ETCH PRIMER ALL OVER.
PAINT DARK ADMIRALTY GREY HAMMER STOVE
ENAMEL (TRIMITE REF 834/H65) EXPECT WHERE
MARKED INDICATED // // // // . PAINT OPTIONAL IN
CHAMBERS. MINIMUM PAINT IN THREADS.

ISS	EO	DESCRIPTION	DRW	APP	DATE
17	28669	INTERNAL & EXTERNAL EARTHS ADDED	PB	WDG	09/03/09
16	8145	PAINT CHANGE	WDG	SF	21/12/99

THIRD ANGLE PROJ. SCALE 1:2

Must Conform to RoHS Directive (2002/95/EC)
MATERIAL CASTING 110000

FINISH SEE NOTE

TITLE
ALI HOUSING 20MM STANDARD

Rockwell Automation

EJA Limited
Ormside Close, Hindley Green,
Wigan, Lancashire, WN2 4HR
TEL: 01942 257112
FAX: 01942 523259

DRAWN	<i>PB</i>	DATE	08/01/08
CHECKED	<i>WDG</i>	DATE	08/01/08
APPROVED	<i>WDG</i>	DATE	08/01/08

DRG No. 375244 **A4**

FILE LOCATION: SNAPLOCK