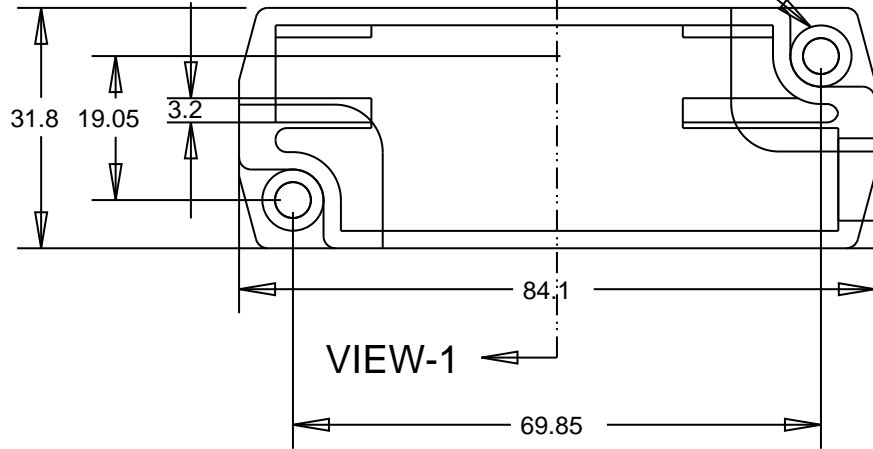
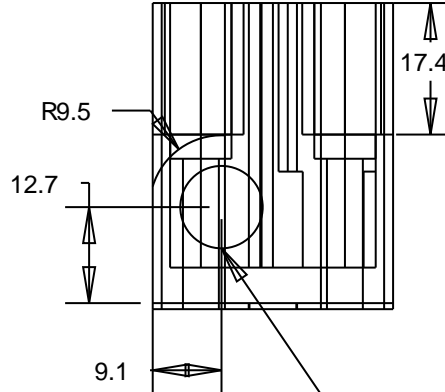


2 FIXING HOLES  
 4.75 DIA C BORED  
 8.1 DIA X 3.2 DEEP

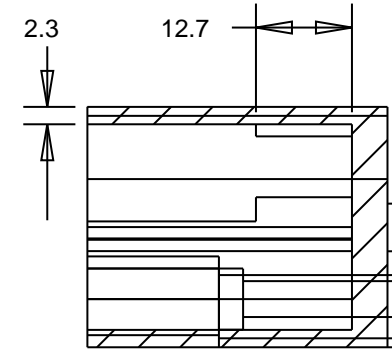
VIEW-1



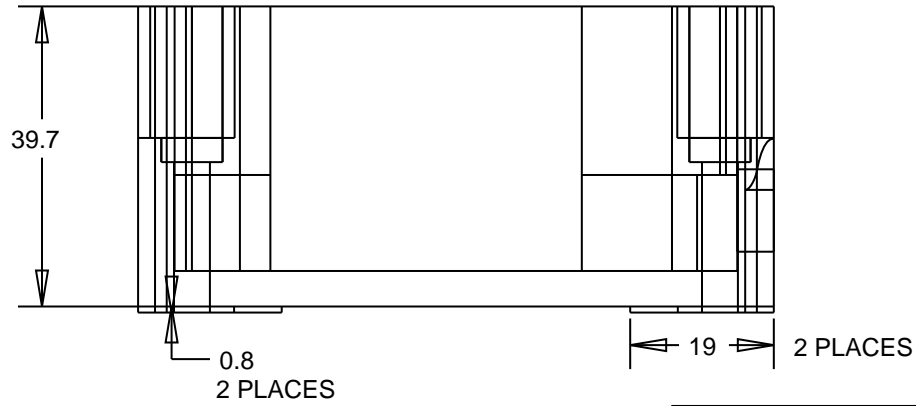
VIEW-1



SECTION VIEW-1-VIEW-1



CORE DIA 10.9 TO BE TAPPED PG7-6H  
 CONDUIT THREAD AFTER MOULDING



PDB-257  
 Control Housing

Pinto-Brand

Abacus Design Studios

Date 26/05/2001